

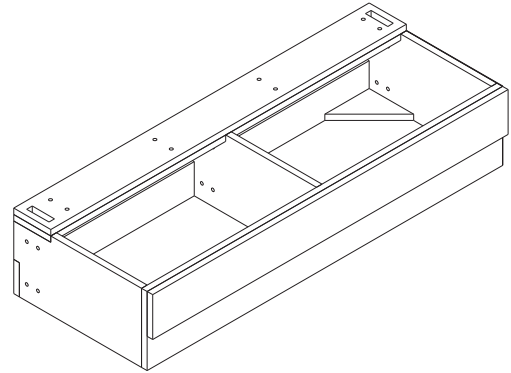
Thank you for purchasing our Cascade Booth!
Follow these simple steps to assemble your booth quickly and securely. If you need assistance, contact our support team.



For a step-by-step video guide, scan the QR code.

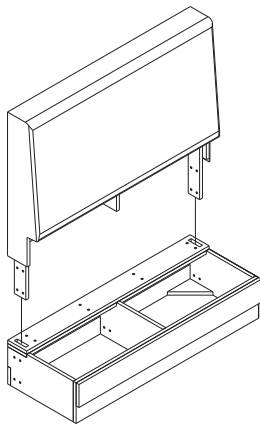
1

Unpack seat base



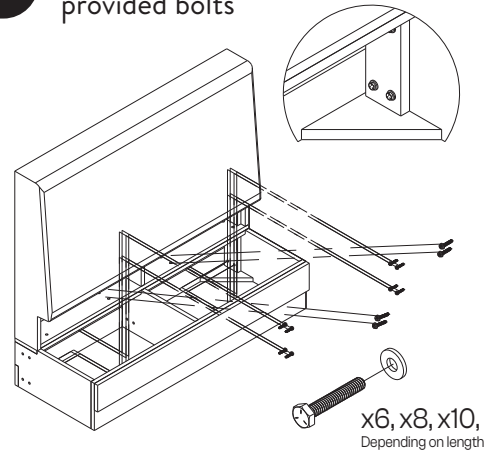
2

Slide back into designated slots



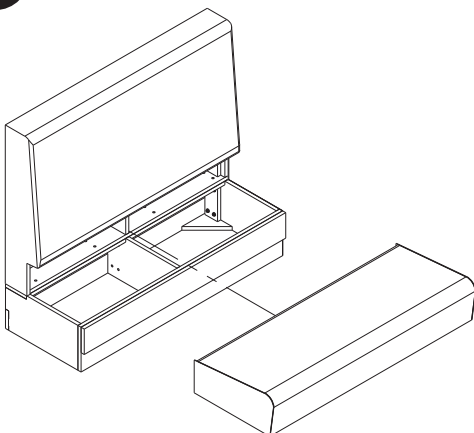
3

Secure back to base with provided bolts



4

Slide seat into designated slot



5

Enjoy your new booth!

